

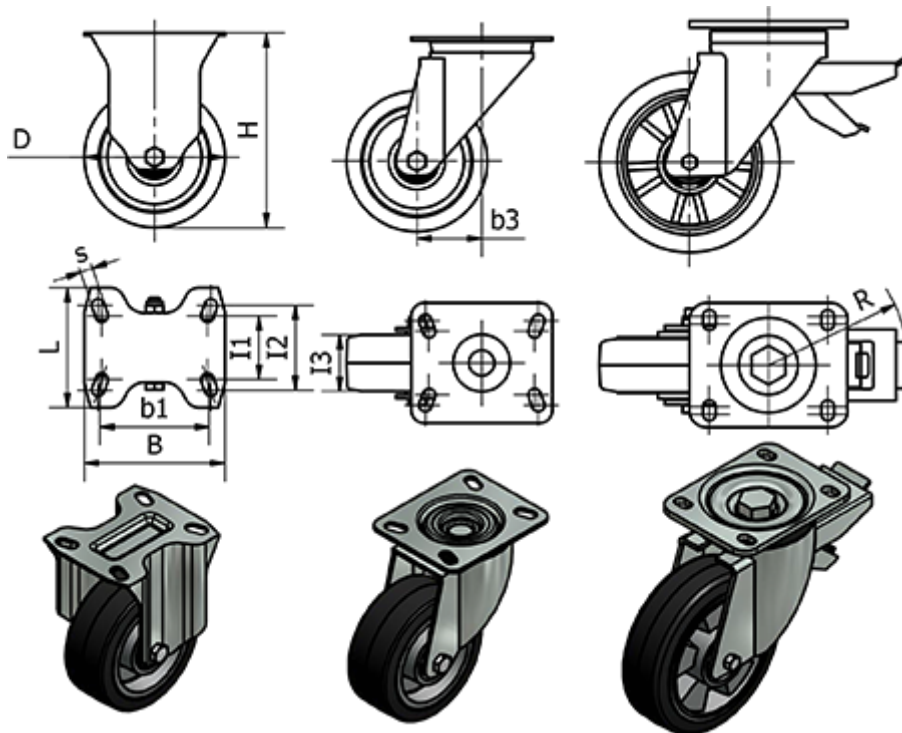
Data Sheet



Article number: 2314452787

Description: E+G Cast iron wheel 452787
RE.G2-160-PSL-H - Fixed plate

Measures



	= -	I1	= 73	Weight (g) = 357
B	= 140	I2	= 87	
b1	= 105	I3	= 50	
b3	= 70	L	= 110	
Code	= 452787	R	= 126	
D	= 160	Rolling resistance (N)	= 3000	
Dynamic carrying capacity (N)	= 3000	s	= 11	
H	= 205	Type	= RE.G2-160-PSL-H	